

TOPY THE NEW EXTRA COMPACT INLET VALVE FROM WIRQUIN



WRAS
APPROVED
PRODUCT



Wirquin completes its inlet valve range with a side entry **ULTRA COMPACT** model : TOPY

Thanks to its space gain, the TOPY can be adapted onto classic or contemporary china. Its technical performances make it an innovative product.

- + **ULTRA COMPACT**, space saving
- + Servo-valve
- + Suitable for low and high operating pressure (0,1 up to 16 bar pressure)
- + Resistant to peaks of pressure of up to 20 bar
- + Anti-siphoning
- + Easy installation
- + 10 year guarantee
- + WRAS approved

WIRQUIN

MAIN CHARACTERISTICS

Why an **ULTRA COMPACT** TOPY inlet valve ?

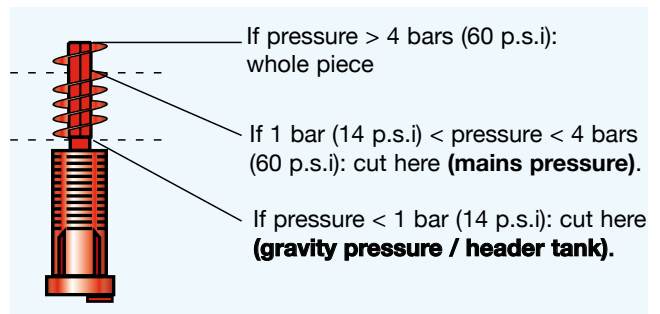
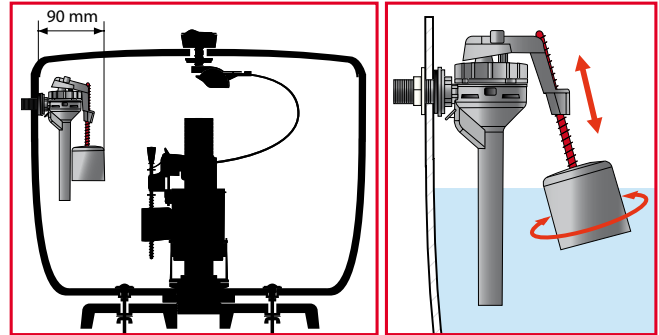
The **ULTRA COMPACT** TOPY inlet valve is ideal for small china and particularly for very low or curved china.

Easy adjustment of the water level :

The water level is adjusted by simply rotating the float. The +/- marking indicates the way to rotate.

Filter restrictor :

The filter restrictor is easy to cut and is compatible with all pressure ranges (an extra filter is included in the pack).

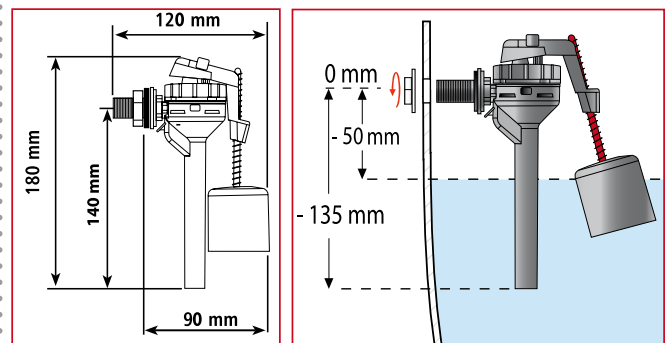


TECHNICAL CHARACTERISTICS

- **End** : 1/2 plastic.
- **Functions** from 0,1 to 16 bars (can resist 20 bars).
- **Filter restrictor.**
- **Filling flow :**
1,5 l/mn at 0,1 bar.
4,1 l/mn at 1 bar.
6 l/mn at 3 bars.
- **Filling time at 6 litres :**
4mn at 0,1 bar.
1mn 28s at 1 bar.
1mn at 3 bars.
- **Water level in the cistern :**
-50 to -135mm.
- **Weight** : 99g.

Size

Water level



Packaging :

The TOPY 1/2 plastic inlet valve is available in a bag.

PROGRAMME

Description	Product Code	Code EAN	Pack	Language	Box Qty
TOPY side inlet float valve 1/2" plastic	16300601	3375537160815	Bag	FR-NL-EN-D-E-P-I-RO-RU	60