

JAMES

Multi Directional Shower waste



PRO TECHNOLOGY

- ▶ Multi position outlet.
- ▶ Very compact.
- ▶ Quick flow rate.
- ▶ Available with outlet to screw on or to glue.

PRO QUALITY



Conform to
EN 274
European Standard



PRO SERVICES




Technicians at
your service

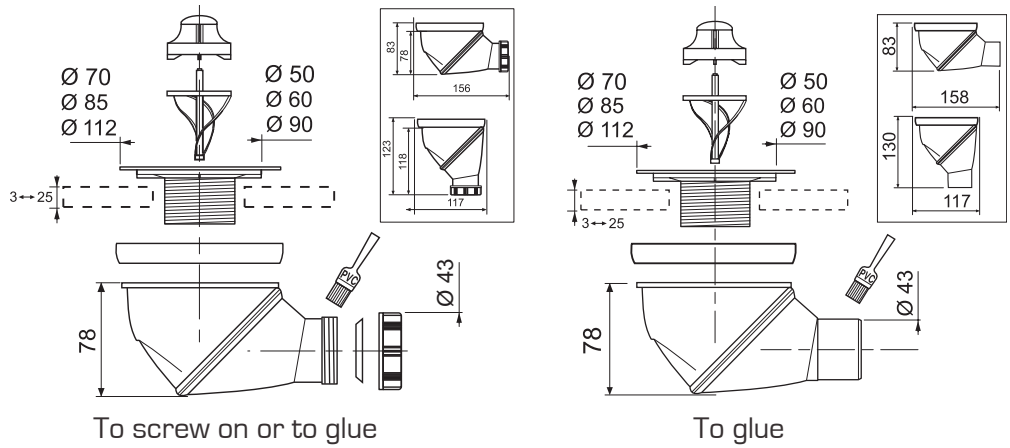
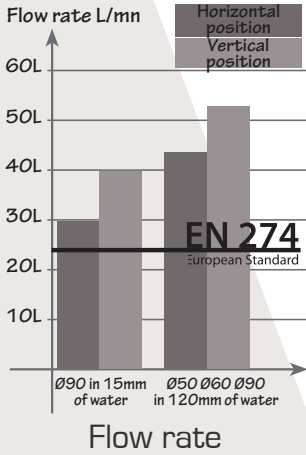
HOTLINE 08444 122029

WEB SITE www.wirquin.co.uk

Description	Product code	EAN code	Packaging	Mini order qty
James waste Ø90 - Outlet Ø43 to screw on	30717455 30717456	3375537174522 3375537174539	Bag Box	01 01
James waste Ø90 + Dome - Outlet Ø43 to screw on	30717459	3375537174560	Box	01
James waste Ø50 - Outlet Ø43 to screw on	30717457 30717458	3375537174546 3375537174553	Bag Box	01 01
James waste Ø90 - Outlet Ø43 solvent weld	34230102 34230101	3375539071751 3375539059162	Bag Box	01 01
James waste Ø90 + Dome - Outlet Ø43 solvent weld	34230701	3375537151882	Box	01
James waste Ø50 - Outlet Ø43 solvent weld	30717266 34210101	3375537172665 3375539059179	Bag Box	01 01

TECHNICAL CHARACTERISTICS

Depth of seal	 EN 274 50mm Depth of seal	50mm according to EN274 requirement
Tightening height of the waste	from 0 to 25mm	
Height under tray	83mm for horizontal outlet	
	123mm for vertical outlet	



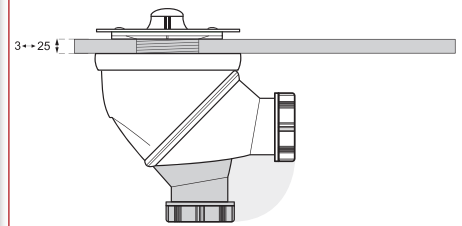
PRO INSTALLATION

✓ CLEVER :

An innovative revolution, the swivelling outlet (360°) allows a horizontal, vertical or intermediary installation.



1 Positioning the waste under the shower tray.



2 Assembly spanner supplied.



3 Install the filter with the mini dome.



4 Compression outlet or solvent weld according to the waste model.

